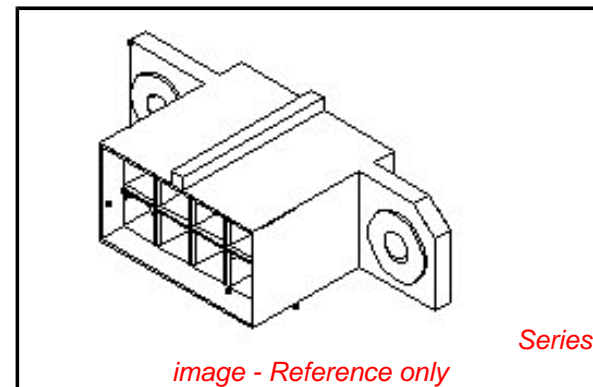


**PLEASE CHECK WWW.MOLEX.COM FOR LATEST PART INFORMATION**

**Part Number:** [0520250411](#)  
**Status:** **Active**  
**Description:** 5.00mm (.197") Pitch Wire-to-Wire Plug Housing, Floating-Fit Drawer Type, 4 Circuits

**Documents:**

<a href="#">3D Model</a>	<a href="#">Product Specification PS-51010-004 (PDF)</a>
<a href="#">Drawing (PDF)</a>	<a href="#">Product Specification PS-51010-005 (PDF)</a>
<a href="#">Product Specification PS-51010-001 (PDF)</a>	<a href="#">Product Specification PS-51010-006 (PDF)</a>
<a href="#">Product Specification PS-51010-002 (PDF)</a>	<a href="#">Product Specification PS-51010-007 (PDF)</a>
<a href="#">Product Specification PS-51010-003 (PDF)</a>	<a href="#">RoHS Certificate of Compliance (PDF)</a>



**Agency Certification**

CSA	LR19980
TUV	R72081037
UL	E29179

**General**

Product Family	Crimp Housings
Series	<a href="#">52025</a>
Product Name	N/A

**Physical**

Circuits (maximum)	4
Color - Resin	Black
Flammability	94V-0
Gender	Male
Glow-Wire Compliant	No
Lock to Mating Part	Yes
Material - Resin	Polyester
Number of Rows	2
Packaging Type	Bag
Panel Mount	Yes
Pitch - Mating Interface (in)	0.197 In
Pitch - Mating Interface (mm)	5.00 mm
Stackable	No
Temperature Range - Operating	-40°C to +105°C

**Material Info**

**Reference - Drawing Numbers**

Packaging Specification	SPK-52025-001
Product Specification	PS-51010-001, PS-51010-002, PS-51010-003, PS-51010-004, PS-51010-005, PS-51010-006, PS-51010-007, RPS-51010-013
Sales Drawing	SD-52025-001

**EU RoHS** **China RoHS**

**RoHS Compliant by Exemption**  
**REACH SVHC**  
**Contains SVHC: No**  
**Halogen-Free**  
**Status**  
**Not Halogen-Free**



**Need more information on product environmental compliance?**

Email [productcompliance@molex.com](mailto:productcompliance@molex.com)  
 For a multiple part number RoHS Certificate of Compliance, [click here](#)

Please visit the [Contact Us](#) section for any non-product compliance questions.

**Search Parts in this Series**

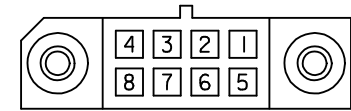
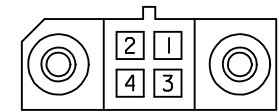
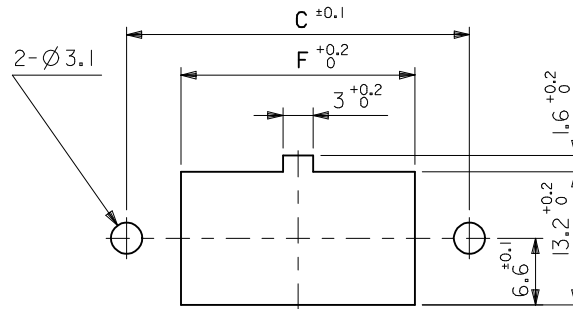
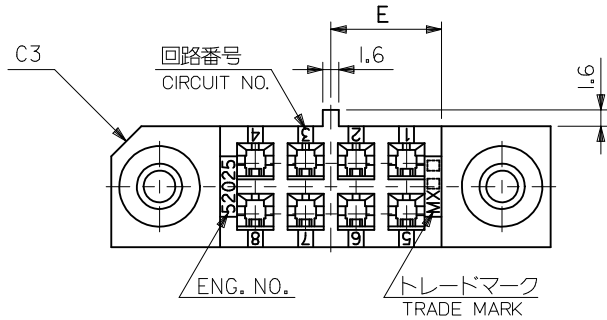
[52025Series](#)

**Mates With**

[51010](#) receptacle housing

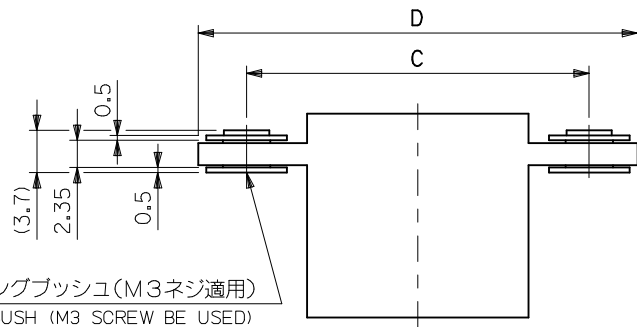
**Use With**

[5558](#)

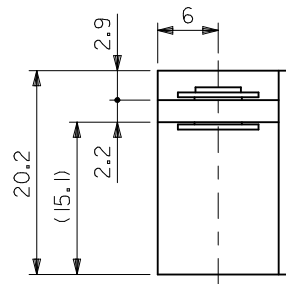


パネル切抜寸法 (参考)  
PANEL CUT OFF DIMENSION(REFERENCE)

回路レイアウト図

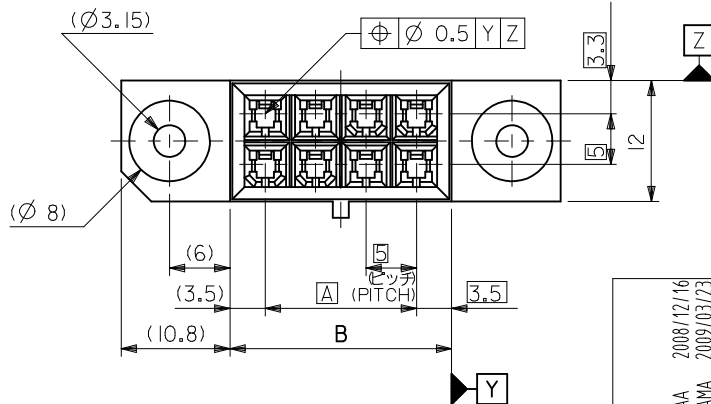
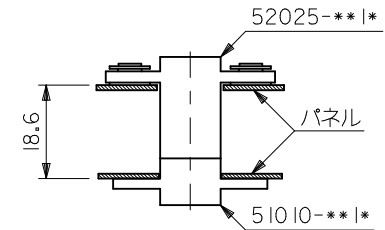


フローティングブッシュ(M3ネジ適用)  
FLOATING BUSH (M3 SCREW BE USED)



注記  
NOTES

- 適用ターミナル : 5558 シリーズ  
APPLICABLE TERMINAL : 5558 SERIES
- 嵌合相手 : 51010-\*\*\*  
MATES WITH : 51010-\*\*\*
- パネル外-外寸法 : 18.6 (下図参照)  
BETWEEN PANEL-PANEL DIMENSION : 18.6 (SEE BELOW FIGURE)



材料  
MATERIAL  
本体 : G.F.15% PBTP, UL94V-0  
HOUSING : G.F.15% PBTP, UL94V-0  
ブッシュ : 黄銅, ニッケルメッキ  
BUSH : BRASS, NICKEL PLATING

REVISED  
EC NO: D  
DRWN: KAKURAA 2008/12/16  
CHKD: T. HARUYAMA 2009/03/23  
APPR: T. HARUYAMA 2009/03/24

DESCRIPTION  
GENERAL TOLERANCES (UNLESS SPECIFIED)  
10 UNDER ±0.2  
10 OVER 30 UNDER ±0.25  
30 OVER ±0.3  
ANGULAR ±3 °  
DRAFT WHERE APPLICABLE  
MUST REMAIN WITHIN DIMENSIONS

DIMENSION STYLE  
MM ONLY  
DRAWN BY: T. HIRAMOTO  
DATE: '89/11/24  
CHECKED BY: M. FUKUSHIMA  
DATE: '90/4/5  
APPROVED BY: M. ENOMOTO  
DATE: '90/4/5  
MATERIAL NO.  
SIZE: A3  
THIS DRAWING CONTAINS INFORMATION THAT IS PROPRIETARY TO MOLEX INCORPORATED AND SHOULD NOT BE USED WITHOUT WRITTEN PERMISSION

SCALE: 2:1  
DESIGN UNITS: METRIC  
TITLE: MINI. DRAWER CONN. CRIMP PIN HOUSING ASSY  
MOLEX MOLEX INCORPORATED  
DOCUMENT NO.: SD-52025-001  
SHEET NO.: 1 OF 1

23.2	11	43.6	34	22	15	52025-0811	BLACK	8
13.2	6	33.6	24	12	5	52025-0411		4
F	E	D	C	B	A	MATERIAL NO.	COLOR	極数 CKTS.

MODEL NO. 52025-\*\*\*1\*